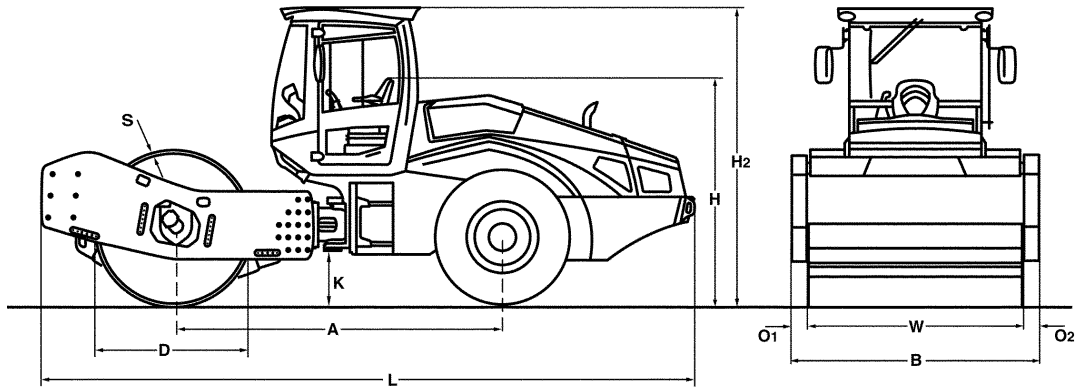


TECHNICAL DATA

BOMAG VARIOCONTROL (BVC)

BW 219 BVC-5





Dimensions in mm

	A	B	D	H	H2	K	L	O1	O2	S	W
BW 219 BVC-5	3255	2300	1600	2300	3040	495	6500	85	85	40	2130

Shipping dimensions in m3

BW 219 BVC-5

without ROPS

34,385

with ROPS

45,448

Machine type	Compaction output (m3/h)			
	Rock fill	Gravel, sand	Mixed soil	Silt, clay
BW 219 BVC-5	940-1880	800-1520	580-980	310-590

Machine type	Compacted layer thickness (m)			
	Rock fill	Gravel, sand	Mixed soil	Silt, clay
BW 219 BVC-5	1,70	1,20	0,85	0,40

Technical Data

BOMAG BW 219 BVC-5

Weights

Grossweight	kg	23.000
Operating weight CECE w. ROPS-cabin	kg	20.300
Axle load, drum CECE	kg	13.500
Axle load, wheels CECE	kg	6.800
Static linear load CECE	kg/cm	63,4

Dimensions

Working width	mm	2.130
Track radius, inner	mm	4.120

Driving Characteristics

Speed	km/h	0- 10,0
Max. gradeability without/with vibr.	%	59/56

Drive

Engine manufacturer		Deutz
Type		TCD 6.1 L6
Emission stage		Stage V / TIER4f
Exhaust gas aftertreatment		DOC+DPF+SCR
Cooling		Liquid
Number of cylinders		6
Performance ISO 3046	kW	150,0
Performance SAE J 1995	hp	202,0
Speed	min-1	2.300
Fuel		Diesel
Electric equipment	V	12
Drive system		hydrost.
Drum driven		standard

Drums and Tyres

Tyre size		23,1-26 12PR
-----------------	--	--------------

Brakes

Service brake		hydrost.
Parking brake		hydromec.

Steering

Steering system		oscil.artic.
Steering method		hydrost.
Steering / oscillating angle +/-	grad	35/12

Exciter system

Drive system		hydrost.
Frequency	Hz	26
Amplitude (1)	mm	0 - 2,70
Centrifugal force	kN	500
Centrifugal force	t	51,0

Capacities

Fuel	l	280,0
------------	---	-------

Technical modifications reserved. Machines may be shown with options.

Standard Equipment

- BOMAG ECOMODE
- BOMAG VARIOCONTROL
- TERRAMETER
- Oscillation mode
- Warning, information and operation displays with LCD
- Hydrostatic travel and vibration drive
- Hydrostatic articulated steering
- Articulated joint lock
- Rear axle with twin spring accumulator brakes
- Self locking differential
- Warning horn
- Single lever control for travel and vibration
- Seat with arm rest and adj. for position and height
- 2 Scrapers
- Emergency STOP
- Back-up alarm
- Working lights front / rear
- Double pump system for travel drive
- Loading mode
- Battery disconnect switch
- BOMAG TELEMATIC POWER

Optional Equipment

- * ROPS/FOPS cabin with seat belts
 - Sliding window
- Air condition
- Rearview camera
- BOMAG ECOSTOP
- Padfoot segment kit
- Radio (Bluetooth)
- Indicator and hazard lights
- Special painting
- Rotary beacon
- Pre start cabin heating
- Environmentally compliant hydraulic oil
- Comfort package: Adjustable seat and adjustable steering column
- Measuring- and machine data interface for third-party suppliers
- Reversing alarm buzzer with broad band audio
- LED Working lights (Cabin)
- Highly wear resistant drum
- Rock tyre

* Standard delivery with CE conformity
(valid within European Union)

